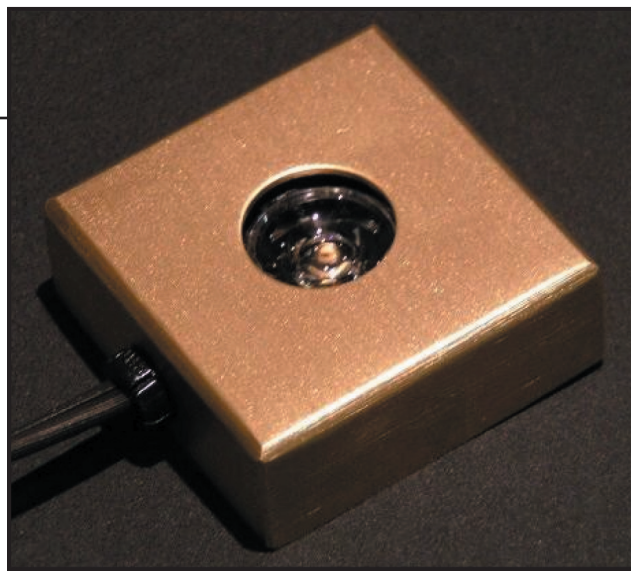


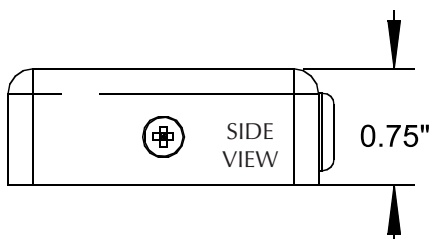
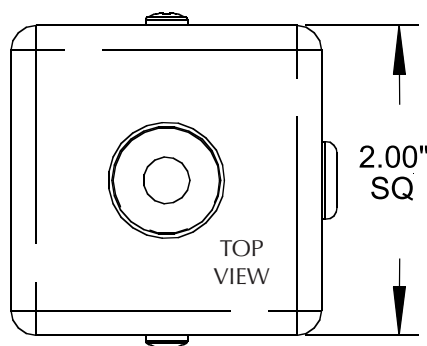
LED Model: PK

- Independently Dimmable LED Fixture
- Powered by RPK (Remote Driver)
- Class 2 device; low current and low voltage feed
- IC Rated, Clearances NOT Required
- Power/Wattage: 1.5 watts (High Power LEDs)
- 5 Year Warranty – Made in USA
- Safe for Children, Animals, Clothes, Valuables
- 50,000 Hour Minimum Half Expected
- No Heat or UV from Light Beam
- Energy Efficient + Environment Friendly
- Durable; No Maintenance; No Filament to Break
- Call for Photometrics; 10 degree Optic Standard
- Optional Mounting + Aiming tabs available
- Optional J-Box Mounting Plate available
- Side Entry – Includes 6 Foot WIP



Pictured Model #: PK – WW +Z
Call for Custom colors and voltages

LED MODEL	Wall/Ceiling Surfaced or Recessed Natural/Aluminum (Standard) Black (BK), White (WH), Other
PK	
FEED WITH REMOTE POWER PACK (RPK) ONLY	
LED	COOL White (WH), Amber (AM), Blue (BL), Red (RD), Cyan (CY), Green (GN), WARM White (WW), Other (Specify), Zener Diode Option (+Z)
OPTIONS	Z (Zener Diode Option) 25D (25 Degree Optic) 40D (40 Degree Optic) L (Optional "L" Mounting Brackets) J (Optional J-Box Mounting Cover) Other (Specify)



www.GeminiOneFive.com
800.660.2320

REPRESENTED BY: