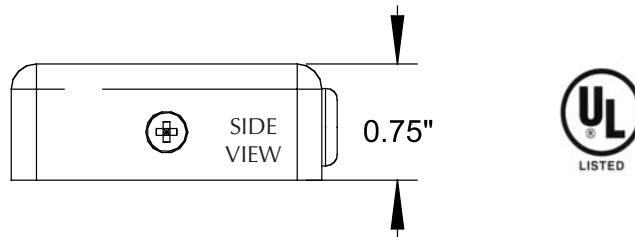
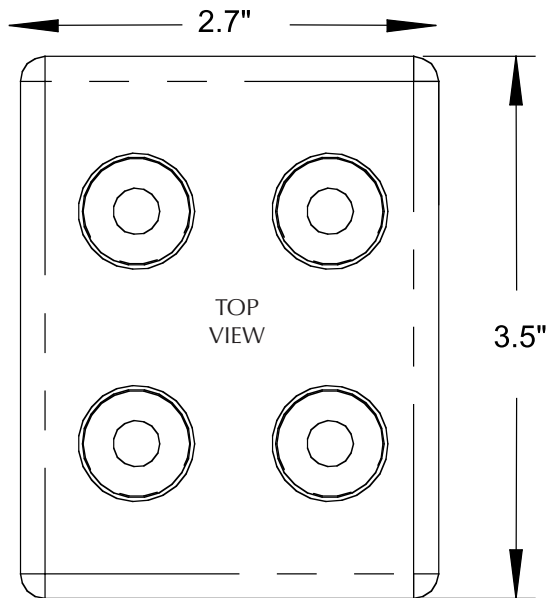


# LED Model: PKx4

- Independently Dimmable LED Fixture
- Powered by RPK (Remote Driver)
- Class 2 device; low current and low voltage feed
- IC Rated, Clearances NOT Required
- Power/Wattage: 1.5 watt High Power LEDs
- 5 Year Warranty – Made in USA
- Safe for Children, Animals, Clothes, Valuables
- 50,000 Hour Minimum Half Expected
- No Heat or UV from Light Beam
- Energy Efficient + Environment Friendly
- Durable; No Maintenance; No Filament to Break
- Call for Photometrics; 10 degree Optic Standard
- Optional Mounting + Aiming tabs available
- Optional J-Box Mounting Plate available
- Rear Entry – \_" KO – OPTIONAL Wire WIP
- Control Each LED together or Separately



<b>LED MODEL</b>	Surfaced or Recessed Natural/Aluminum (Standard) Black (BK), White (WH), Other
<b>FEED WITH REMOTE POWER PACK (RPK) ONLY</b>	
<b>LED 1</b>	COOL White (WH), Amber (AM), Blue (BL), Red (RD), Cyan (CY), Green (GN), WARM White (WW), Other (Specify), Zener Diode Option (+Z)
<b>LED 2</b>	COOL White (WH), Amber (AM), Blue (BL), Red (RD), Cyan (CY), Green (GN), WARM White (WW), Other (Specify), Zener Diode Option (+Z)
<b>LED 3</b>	COOL White (WH), Amber (AM), Blue (BL), Red (RD), Cyan (CY), Green (GN), WARM White (WW), Other (Specify), Zener Diode Option (+Z)
<b>LED 4</b>	COOL White (WH), Amber (AM), Blue (BL), Red (RD), Cyan (CY), Green (GN), WARM White (WW), Other (Specify), Zener Diode Option (+Z)
<b>OPTIONS</b>	Z (Zener Diode Option) 25D (25 Degree Optic) 40D (40 Degree Optic) L (Optional "L" Mounting Brackets) J (Optional J-Box Mounting Cover) W (Optional Wire WIP-Lead) Other (Specify)

Illustrated Model #: PKx4-AM-RD-BL-GN +Z  
Call for Custom colors and voltages



[www.GeminiOneFive.com](http://www.GeminiOneFive.com)  
800.660.2320

REPRESENTED BY: